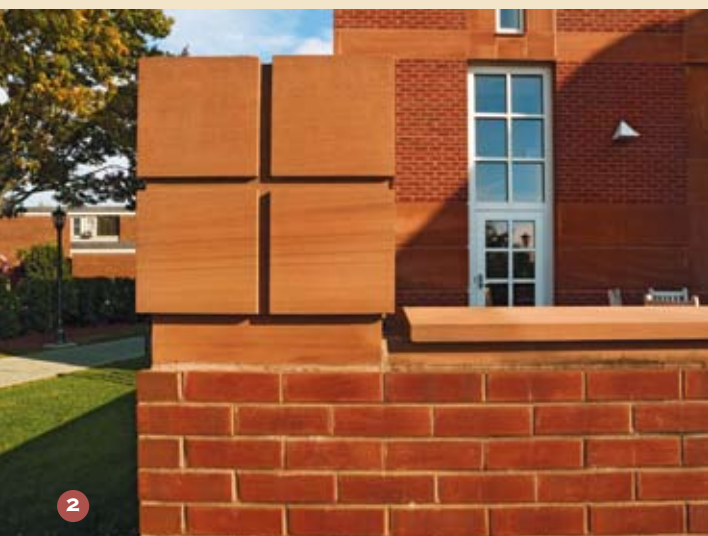


**TROWEL TRADES  
ARCHITECTURAL STONE**



1



2

1 *Lake Champlain Science Center, Vermont*  
material: **Champlain Marble**

2 *Hoehl Welcome Center, Saint Michael's College, Vermont*  
material: **Beestone Red Sandstone**

3 *Student Residential Learning Complex, University of Vermont*  
material: **Charcoal Gray Granite**



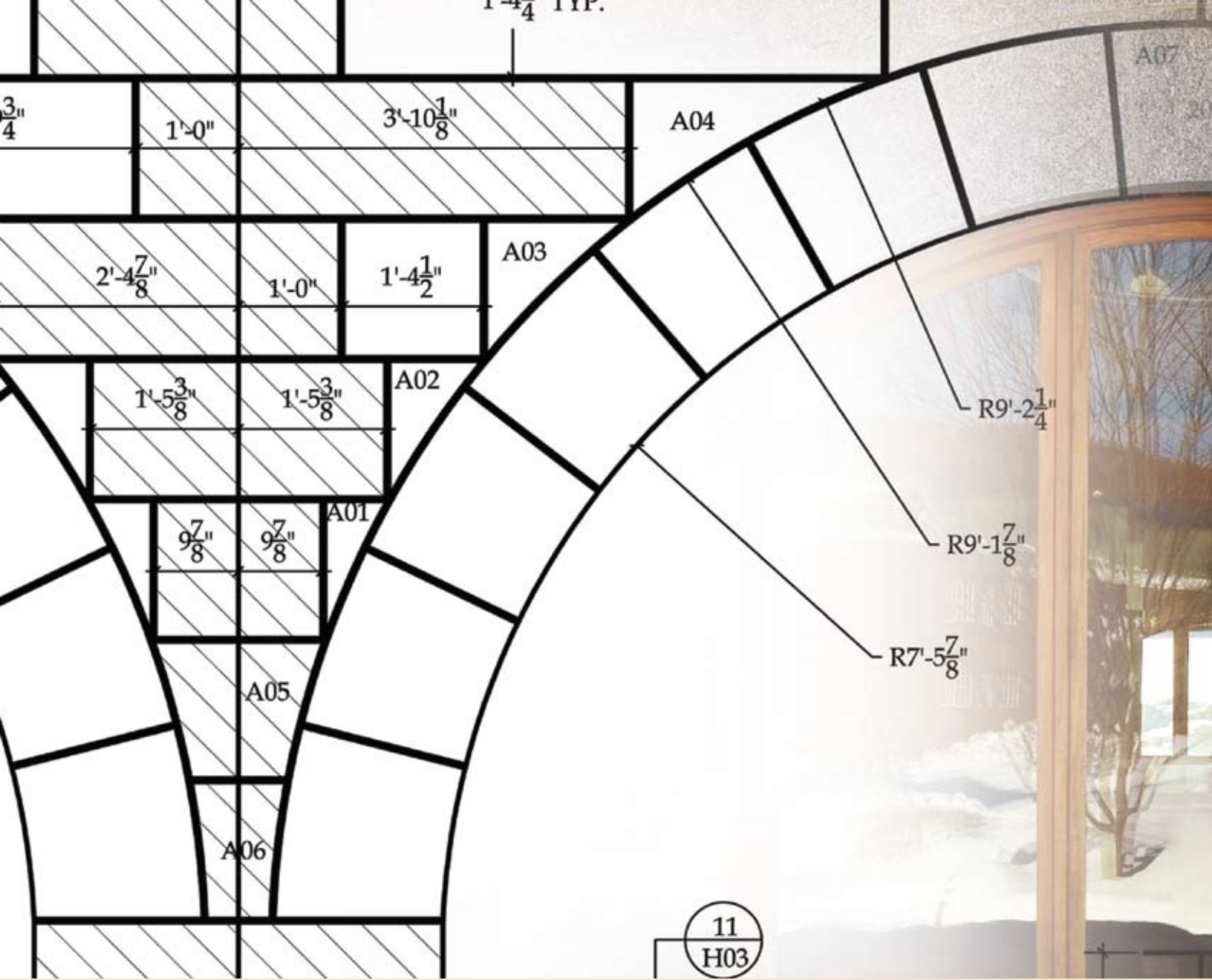
3

# PROJECTS



Trowel Trades Architectural Stone offers quality custom stone elements and unparalleled service. We have strategic relationships with stone quarriers from around the world.

*Corporate, Commercial & Government  
Education & Cultural  
Resort & Recreation  
Residential*



AIA/CES Educational Seminars

Product Sourcing, Consultation and Sampling

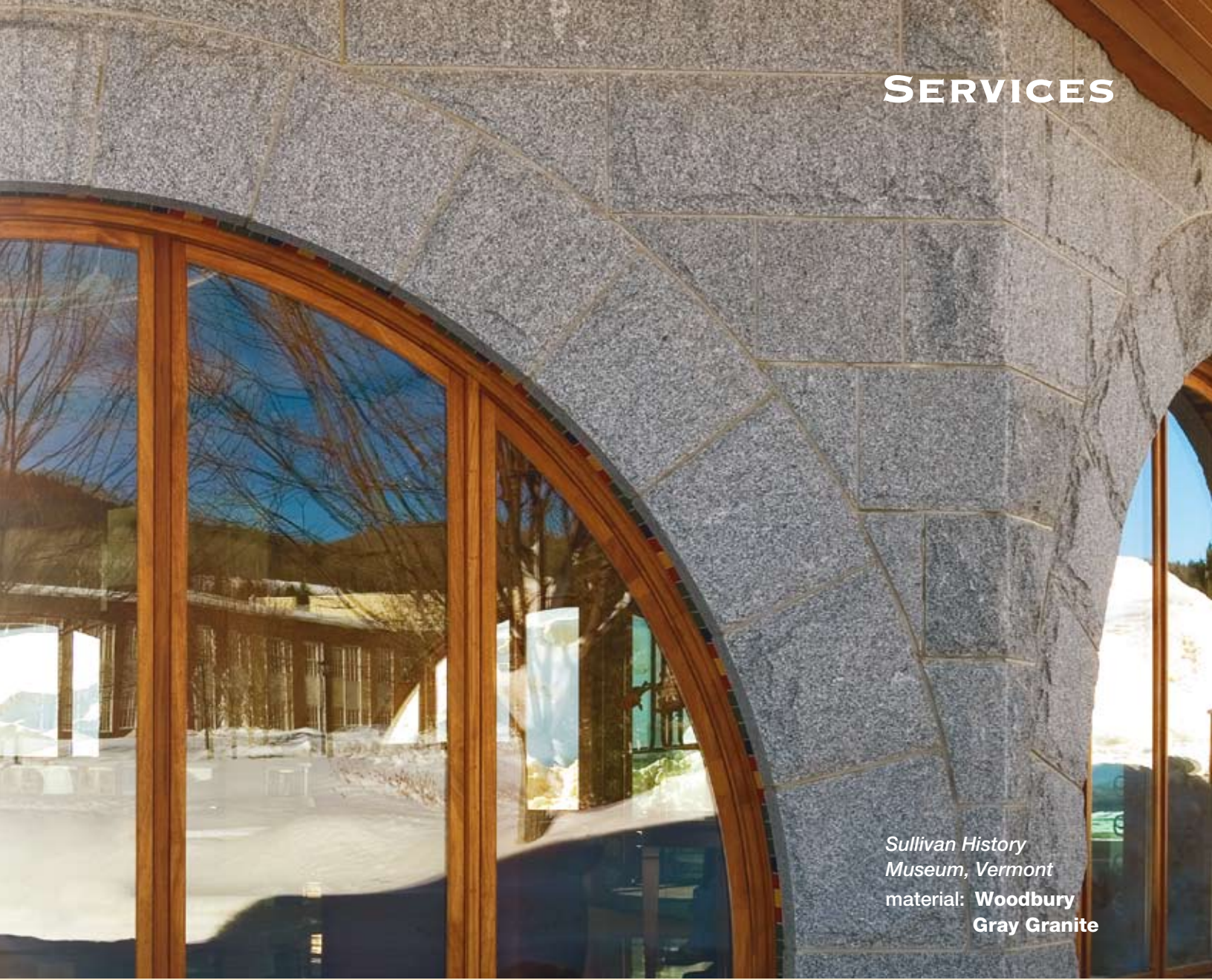
Budgeting, Estimating and Drafting



- *Architectural Cut Stone: Design, Detailing and Specification*
- *Rubble/Split Stone in Architecture: Design, Detailing and Specification*
- *Thin Stone Adhered Veneer: Design, Detailing and Specification*
- *Clay Brick Roads: History of Use and Heavy Vehicular Design*

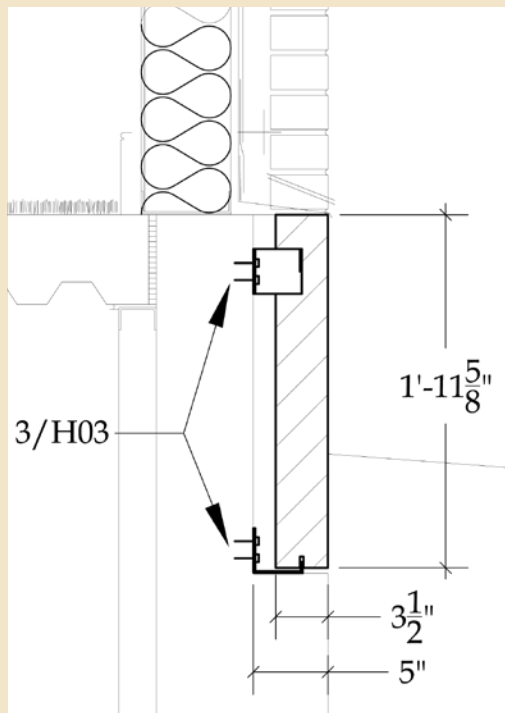


# SERVICES



*Sullivan History  
Museum, Vermont*  
material: **Woodbury  
Gray Granite**

*Shop Drawings and Fabrication Tickets*



*Fabrication and Technical Assistance*



We are professionals who work with the architectural and building communities throughout New England and beyond. We have an exceptional reputation for quality products and outstanding service.



# DETAILS

---

We provide architectural stone for numerous applications. From stone cladding and coping to stone steps and benches, Trowel Trades Architectural Stone is the source for all your masonry and hardscape installations. We offer granites, marbles, slates, sandstones, quartzites, and much more in an endless variety of color and texture.

*Balusters*

*Banding*

*Bases*

*Benches*

*Capstones*

*Coping*

*Columns*

*Door Surrounds*

*Fireplace Mantels*

*and Hearths*

*Keystones*

*Medallions*

*Piers*

*Planters*

*Quoins*

*Veneer Panels*

*Watertables*

*Window Sills*

*Window Surrounds*



---

***Dedication to Your Project***  
***Experienced Staff***  
***Quality Products***

---

**1**

*Marriot Wardman  
Park Hotel,  
Washington D.C.*

material: **Stanstead  
Grey Granite**

**2**

*Residential  
Development, Vermont*

material: **Indiana Buff  
Limestone**

**3**

*Lincoln Cottage,  
Washington D.C.*

material: **Mason  
Granite**

**4**

*Champlain College,  
Vermont*

material: **Rainbow  
Quartzitic  
Sandstone**

**5**

*Saint Michael's  
College, Vermont*

material: **Beestone  
Red  
Sandstone**

**6**

*Private Residence,  
Vermont*

material: **Prairie Green  
Granite**

Lake Champlain Science  
Center, Vermont

material: **Beestone Red  
Sandstone**



**WWW.TROWELTRADESSUPPLY.COM**

Our website is your  
one-stop resource for  
all of your masonry,  
design, specification  
and bidding needs.

*MasterFormat 2004 Edition for Masonry*

*Numbers/Titles by Construction Specification Institute (CSI)*

*Up-to-Date Images and Descriptions of Stone Products*

*Referrals, Resources, Testimonials*

*Hundreds of Project Images for Client Reference and Review*

**TROWEL TRADES ARCHITECTURAL STONE**



**TROWEL TRADES  
SUPPLY INC**

Fort Ethan Allen, 206 Hegeman Avenue  
Colchester, Vermont 05446  
800-300-2742 or 802-655-3166  
info@troweltradessupply.com

cover photo: *Middlebury College, Vermont*

material: **Danby Marble**